



## DE VILLE

CHRONOSCOPE CO-AXIAL 4-COUNTERS CHRONOGRAPH 41 MM

Steel on leather strap

Caliber  
**3890**

**422.13.41.52.06.001**

- Co-Axial escapement
- Automatic
- Chronometer
- Sapphire crystal
- Anti-reflective treatment on both sides
- 3-year International Warranty
- Water-Resistant to a relative pressure of 10 bar (100 metres/330 feet)



### WATCH FUNCTIONS

The crown has 3 positions:

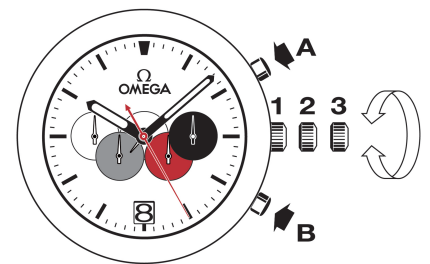
**1. Normal position (wearing position):** when the crown is positioned against the case, the crown ensures that the watch is water-resistant.

**Occasional winding:** if the watch has not been worn for 52 hours or more, wind it up with the crown in position 1.

**2. Correcting the day:** pull the crown out to position 2, turn the crown backwards, then push the crown back to position 1.

*Note: in the quick mode, the date is changed in two steps. Check that the day disc plate is centred after the change has been made. Date-setting is not recommended between 10 pm and 2 am. During this time lapse and under certain conditions, a safety element can prevent these corrective functions from working.*

**3. Time setting:** hours – minutes – seconds. Pull the crown out to position 3. The seconds hand will stop. Turn the crown forwards or backwards. Synchronise the seconds by pushing the crown back to position 1 to coincide with a given time signal.



### CHRONOGRAPH FUNCTIONS

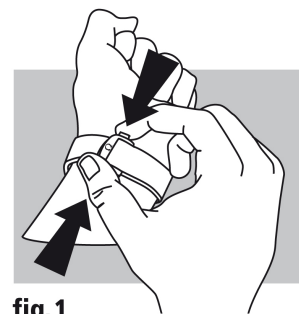
• **Pusher A:** start – stop, start – stop, etc  
Timing to 1/8 of a second for up to 7 days.

• **Pusher B:** reset (after a stop).

*Note: resetting/zeroing of the sub dials must only be carried out after the chronograph has stopped.*

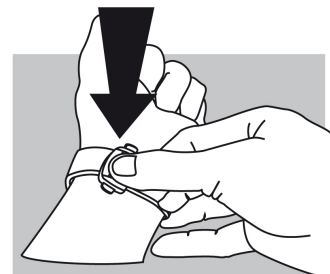
## FOLDOVER CLASPS

**Opening (fig. 1):** to open the clasp, press the two pushers on either side of the OMEGA buckle and pull upwards.



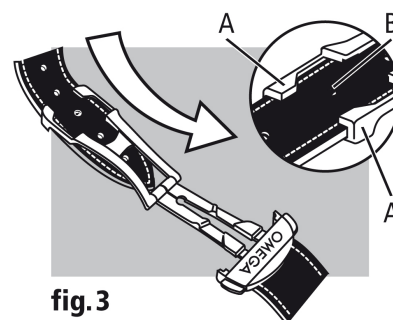
**fig.1**

**Closing (fig. 2):** put the watch on your wrist and close the clasp by pushing on it with your thumb until you hear a click. (fig. 2).



**fig.2**

**Adjusting the length (fig. 3):** free the longer section from the two slideways (A) and from the catch (B). Adjust the bracelet in the required direction and reinsert in the catch and the two slideways. Try the watch for size and readjust if necessary.



**fig.3**